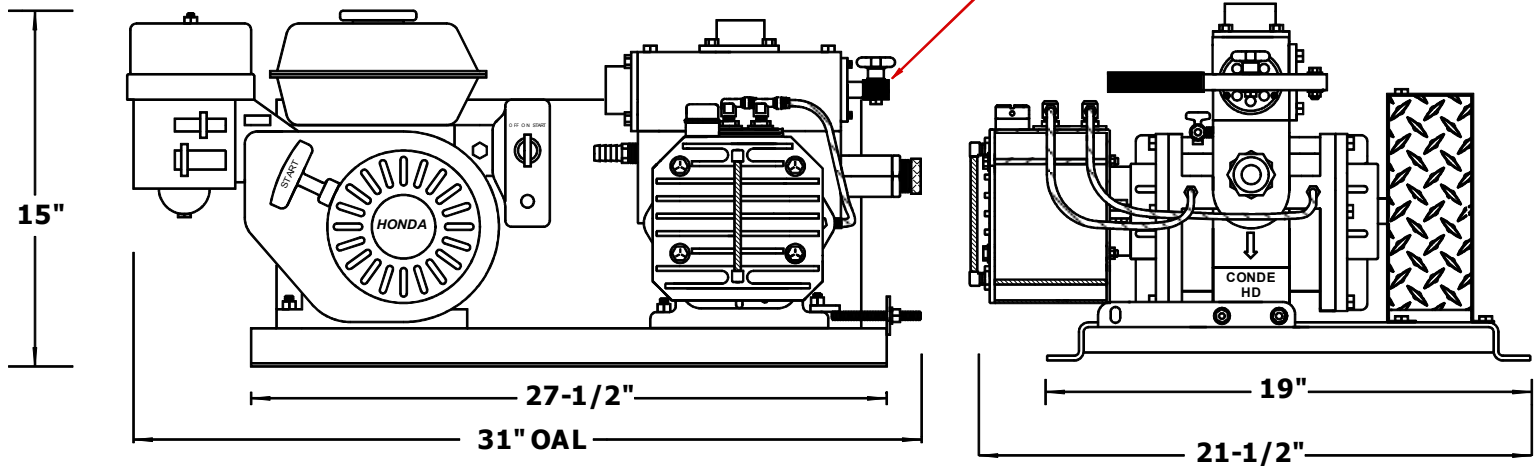


# SUPER 6 - GX160 HONDA ELECTRIC START



**NOTE: Add 5" to OAL When Slide Valve Handle Is Pulled Out (Vacuum Position)**



## TECHNICAL SPECIFICATIONS

Part No.	OLUN06SS05ES	HDUN06SS05ES
CFM, Free Air	70	70
CFM, 15" Hg	35	35
Honda El. Start	Yes	Yes
Displacement	163 cm <sup>3</sup>	163 cm <sup>3</sup>
Vacuum/Pressure	No	Yes
Vacuum Only	Yes	No
Max. Vacuum	27" HG	27" HG
Max. Pressure *	15 PSIG	15 PSIG
Oiler	Automatic	Automatic
Weight		

\* Conde Pumps recommends that pressures on tank systems do not exceed 10 PSIG. A Pressure Relief Valve is required set @ 5 to 10 PSIG. On HD models equipped with pressure vent, tank pressure will relieve when unit is shut off.

## PERFORMANCE SPECIFICATIONS

### TANK PULL DOWN TIME TO 15" HG

TANK SIZE	SUPER 6 UNIT
300 GALLON	26 SECONDS
500 GALLON	42 SECONDS
750 GALLON	63 SECONDS
1000 GALLON	83 SECONDS

**WESTMOOR LTD.**  
**906 WEST HAMILTON AVE**  
**SHERRILL, NY 13461**

**Phone: 800-367-0972, 315-363-0193**

**Fax: 315-363-0193**

**E-mail: pumps@westmoorltd.com**

MANUFACTURERS OF



VACUUM TECHNOLOGY