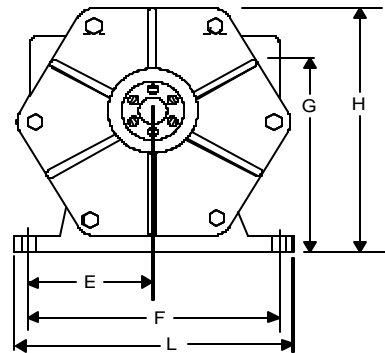
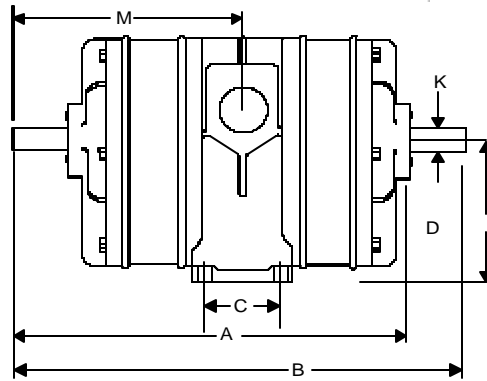




Model 6

Dry Air Vacuum Pump



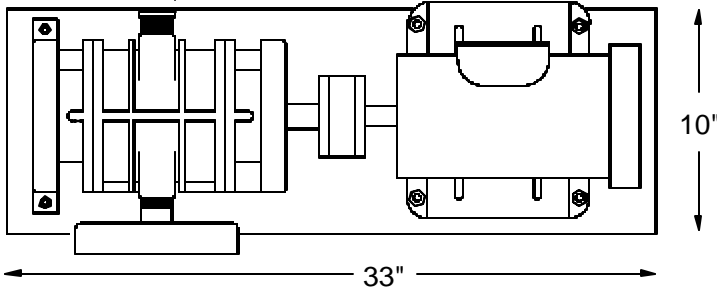
INCHES

A	13.56
B	16.50
C	2.25
D	4.36
E	3.125
F	6.25
G	5.25
H	7.38
K	1.0
L	7.0
M	8.25

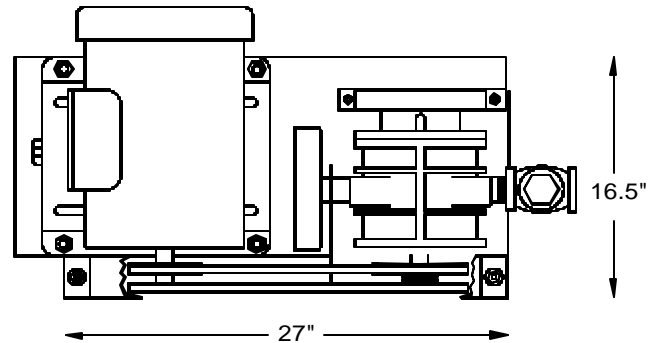
- * Versatile Shaft Designs
Clockwise, Counter Clockwise or Double Shaft to fit any installation need.
- * Provides Clean Pulse Free Air For Vacuum and Pressure Applications
- * Virtually Maintenance Free Operation
- * Available In A Variety Of Pump/Motor Packages To Tailor Your Air Flow Needs With Horsepower Requirements
- * Units Complete With Filters, Check Valve And Relief Vavles
- * Gastite Model Available For Leak Free Operation
- * Ideal Vacuum Applications Up To 20" Hg Continuous Operation, 24" Hg Intermittent, Or Pressures Up To 10 PSIG Continuous, 15 PSI Intermittent

DIMENSIONAL SPECIFICATIONS

Direct Drive Dimensions



Belt Drive Dimensions



TECHNICAL SPECIFICATIONS

* **MAXIMUM AIR FLOW (Vac.)**
40 Cubic Feet per minute @ free air

* **HORSEPOWER REQUIREMENTS**
1/2 hp to 7.5 hp

* **SPEED RANGE**
1100 RPM to 1750 RPM

* **MAXIMUM PRESSURE**
15 PSI Intermittent, 10 PSI Continuous

* **WEIGHT**
60 LBS. (Pump Only)

* **PORT SIZE**
1 Inch NPT

* **MAXIMUM VACUUM**
24" Hg Intermittent, 20" Hg Continuous

* **SHAFT DIAMETER**
1 Inch

Options

- * Relief Valve
- * Inlet and Outlet Filters
- * Mechanical Seals
- * Single or Three Phase Motors
- * Direct Drive or Belt Drive

PERFORMANCE SPECIFICATIONS

VACUUM

In. Hg	1200		1350		1500		1750	
	CFM	HP	CFM	HP	CFM	HP	CFM	HP
2	24.0	1/3	27.0	1-1/2	30.0	2	35.0	2
4	23.1	1/2	25.9	1-1/2	28.5	2	32.3	2
6	21.5	1/2	23.9	1-1/2	26.6	2	29.8	2
8	19.8	3/4	21.8	1-1/2	24.6	2	27.3	3
10	17.8	3/4	19.9	2	22.1	3	24.7	3
12	15.8	3/4	17.9	2	19.5	3	22.0	3
14	14.0	1	15.5	3	17.2	3	19.0	3
16	12.2	1	13.0	3	14.8	3	16.0	5
18	9.9	1	26.5	3	12.3	3	13.5	5
20	7.6	1-1/2	9.1	3	9.8	3	10.9	5
22	5.5	1-1/2	6.9	3	7.4	5	8.1	5
24	3.4	1-1/2	4.7	3	4.9	5	5.3	5

PRESSURE

PSIG	1200		1350		1500		1750	
	CFM	HP	CFM	HP	CFM	HP	CFM	HP
2	24.8	1-1/2	29.2	1-1/2	32.8	2	37.4	3
4	24.0	1-1/2	28.4	2	32.0	3	36.8	3
6	22.8	2	27.5	3	31.2	3	36.1	5
8	22.2	3	26.5	3	30.2	3	35.0	5
10	20.0	3	25.5	3	29.5	3	34.0	5
12	19.4	3	25.2	3	28.6	5	33.2	5
14					28.0	5	31.8	7-1/2
16						5	30.0	7-1/2

906 West Hamilton Avenue
Sherrill, New York 13461

Conde' Pumps

Phone: 800-367-0972

Fax: 315-363-0193