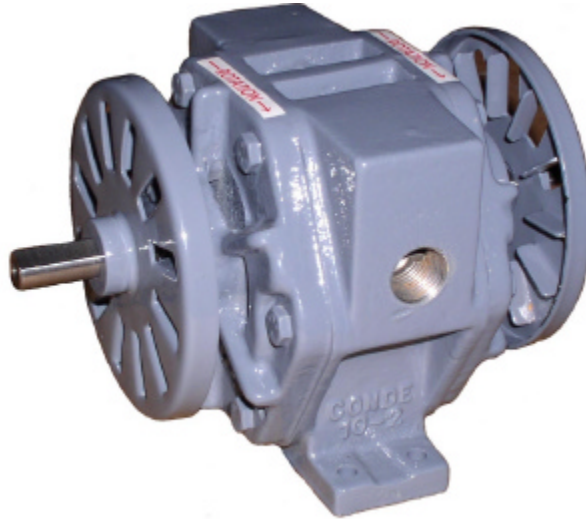




## Model 2

### **Dry Air Vacuum Pump**



---

\* **Versatile Shaft Designs**

Clockwise, Counter Clockwise or Double Shaft to fit any installation need.

\* **Provides Clean Pulse Free Air For Vacuum and Pressure Applications**

\* **Virtually Maintenance Free Operation**

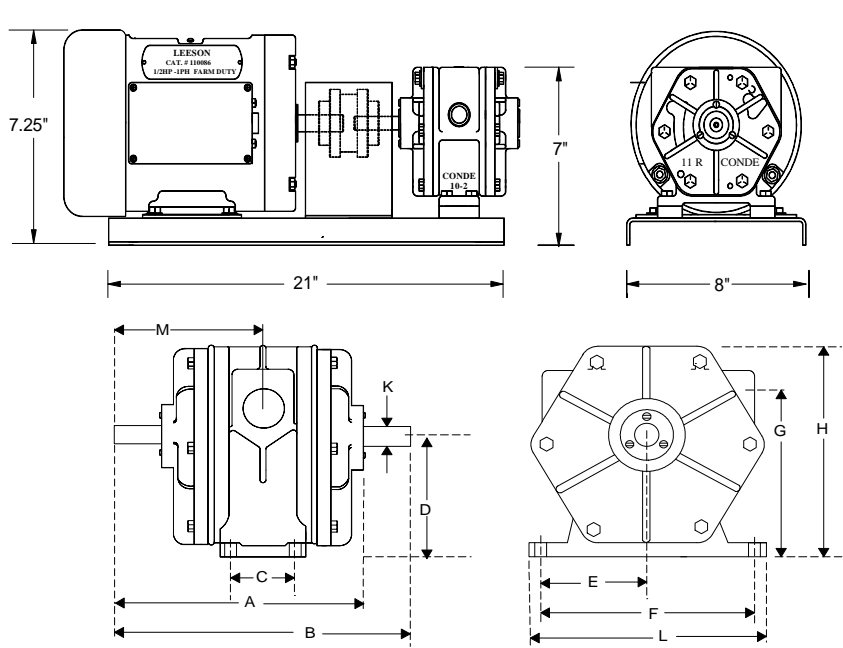
\* **Available In A Variety Of Pump/Motor Packages To Tailor Your Air Flow Needs With Horsepower Requirements**

\* **Units Complete With Filters, Check Valve And Relief Vavles**

\* **Gastite Model Available For Leak Free Operation**

\* **Ideal Vacuum Applications Up To 20" Hg Continuous Operation, 24" Hg Intermittent, Or Pressures Up To 10 PSIG Continuous, 15 PSI Intermittent**

# DIMENSIONAL SPECIFICATIONS



INCHES

<b>A</b>	<b>6.875</b>
<b>B</b>	<b>8.5</b>
<b>C</b>	<b>1.0</b>
<b>D</b>	<b>3.375</b>
<b>E</b>	<b>2.0625</b>
<b>F</b>	<b>4.125</b>
<b>G</b>	<b>3.375</b>
<b>H</b>	<b>5.25</b>
<b>K</b>	<b>.5</b>
<b>L</b>	<b>5.0</b>
<b>M</b>	<b>2.625</b>

## TECHNICAL SPECIFICATIONS

\* **MAXIMUM AIR FLOW (Vac.)**  
7 Cubic Feet per minute @ free air

\* **HORSEPOWER REQUIREMENTS**  
1/3 hp to 1/2 hp

\* **SPEED RANGE**  
1100 RPM to 1750 RPM

\* **MAXIMUM PRESSURE**  
15 PSI Intermittent, 10 PSI Continuous

\* **WEIGHT**  
13 LBS. (Pump Only)

\* **PORT SIZE**  
1/2 Inch NPT

\* **MAXIMUM VACUUM**  
24" Hg Intermittent, 20" Hg Continuous

\* **SHAFT DIAMETER**  
1/2 Inch

Options

- \* Relief Valve
- \* Inlet and Outlet Filters
- \* Mechanical Seals
- \* Single or Three Phase Motors
- \* Direct Drive or Belt Drive

## PERFORMANCE SPECIFICATIONS

### VACUUM

In. Hg	1200		1350		1500		1750	
	CFM	HP	CFM	HP	CFM	HP	CFM	HP
2	4.9	1/3	5.0	1/3	5.3	1/3	6.2	1/3
4	4.2	1/3	4.3	1/3	4.8	1/3	5.4	1/3
6	3.1	1/3	4.0	1/3	4.3	1/3	4.9	1/3
8	2.8	1/3	3.7	1/3	4.0	1/3	4.5	1/3
10	2.6	1/3	3.0	1/3	3.5	1/3	4.0	1/3
12	2.5	1/3	2.6	1/3	3.1	1/3	3.5	1/3
14	1.9	1/3	2.2	1/3	2.7	1/3	3.1	1/3
16			1.9	1/3	2.3	1/3	2.6	1/3
18							2.1	1/3
20							1.7	1/2
22							1.0	1/2

### PRESSURE

PSIG	1200		1350		1500		1750	
	CFM	HP	CFM	HP	CFM	HP	CFM	HP
2	4.7	1/3	4.9	1/3	5.6	1/3	6.0	1/3
4	4.2	1/3	4.4	1/3	5.0	1/3	5.5	1/3
6	3.5	1/3	3.7	1/3	3.9	1/3	5.4	1/3
8	3.0	1/3	3.2	1/3	3.5	1/3	5.3	1/3
10	2.7	1/3	2.7	1/3	3.0	1/3	4.6	1/3

906 West Hamilton Avenue  
Sherrill, New York 13461

Phone: 800-367-0972

Fax: 315-363-0193

Visit us on the world wide web at:

[www.westmoortd.com](http://www.westmoortd.com)

**Conde' Pumps**