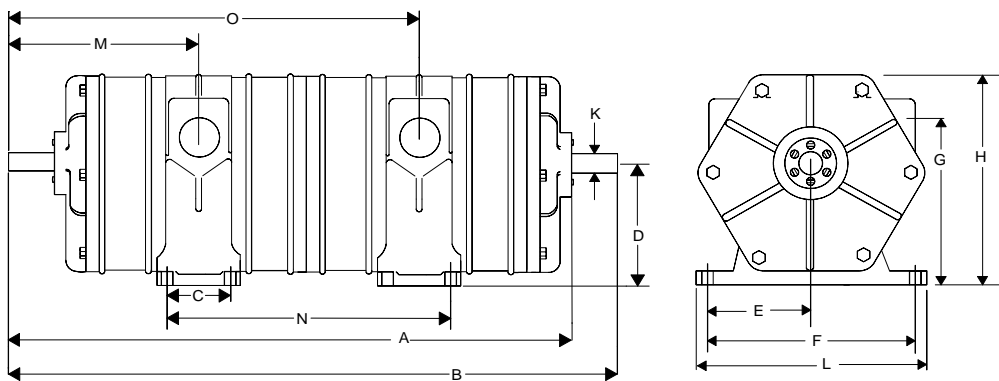




# Model 12

## Dry Air Vacuum Pump



INCHES

<b>A</b>	<b>20.00</b>
<b>B</b>	<b>22.50</b>
<b>C</b>	<b>2.25</b>
<b>D</b>	<b>4.36</b>
<b>E</b>	<b>3.125</b>
<b>F</b>	<b>6.25</b>
<b>G</b>	<b>5.25</b>
<b>H</b>	<b>7.38</b>
<b>K</b>	<b>1.0</b>
<b>L</b>	<b>7.0</b>
<b>M</b>	<b>8.25</b>
<b>N</b>	<b>8.50</b>
<b>O</b>	<b>14.25</b>

\* **Versatile Shaft Designs**

Clockwise, Counter Clockwise or Double Shaft to fit any installation need.

\* **Provides Clean Pulse Free Air For Vacuum and Pressure Applications**

\* **Virtually Maintenance Free Operation**

\* **Available In A Variety Of Pump/Motor Packages To Tailor Your Air Flow Needs With Horsepower Requirements**

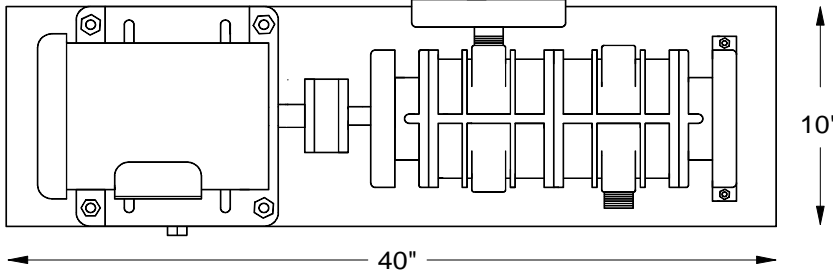
\* **Units Complete With Filters, Check Valve And Relief Vavles**

\* **Gastite Model Available For Leak Free Operation**

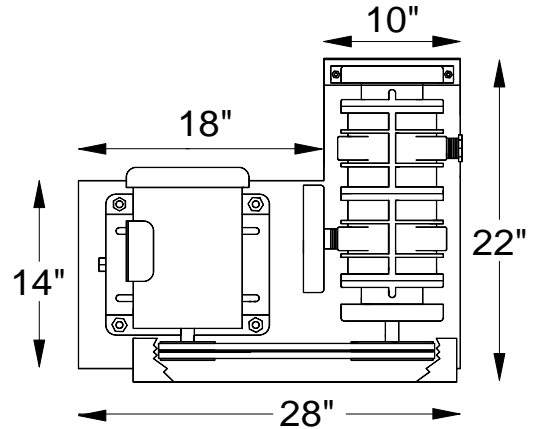
\* **Ideal Vacuum Applications Up To 20" Hg Continuous Operation, 24" Hg Intermittent, Or Pressures Up To 10 PSIG Continuous, 15 PSI Intermittent**

# DIMENSIONAL SPECIFICATIONS

**Direct Drive Dimensions**



**Belt Drive Dimensions**



# TECHNICAL SPECIFICATIONS

\* **MAXIMUM AIR FLOW (Vac.)**  
70 Cubic Feet per minute @ free air

\* **HORSEPOWER REQUIREMENTS**  
3 hp to 15 hp

\* **SPEED RANGE**  
1100 RPM to 1750 RPM

\* **MAXIMUM PRESSURE**  
15 PSI Intermittent, 10 PSI Continuous  
NPT

\* **WEIGHT**  
100 LBS. (Pump Only)

\* **PORT SIZE**  
1-1/4 Inch

\* **MAXIMUM VACUUM**

\* **SHAFT DIAMETER**

Options

- \* Relief Valve
- \* Inlet and Outlet Filters
- \* Mechanical Seals
- \* Single or Three Phase Motors
- \* Direct Drive or Belt Drive

# PERFORMANCE SPECIFICATIONS

**VACUUM**

In. Hg	1200		1350		1500		1750	
	CFM	HP	CFM	HP	CFM	HP	CFM	HP
2	47.0	2	52.0	3	57.0	5	63.0	5
4	43.0	2	48.0	3	52.0	5	58.0	5
6	39.0	3	44.0	3	48.5	5	54.0	5
8	35.0	3	40.0	3	45.0	5	50.0	5
10	32.0	3	36.5	5	40.5	5	45.5	7.5
12	29.0	3	33.0	5	36.0	5	41.0	7.55
14	25.5	5	28.5	5	31.0	5	35.5	7.5
16	22.0	5	24.0	5	26.0	5	30.0	7.5
18	18.0	5	20.5	5	22.0	7.5	24.5	7.5
20	14.0	5	17.0	5	18.0	7.5	19.0	7.5
22	10.0	5	12.5	7.5	13.5	7.5	14.5	7.5
24	6.0	5	8.0	7.5	9.0	7.5	10.0	10

**PRESSURE**

PSIG	1200		1350		1500		1750	
	CFM	HP	CFM	HP	CFM	HP	CFM	HP
2	46.0	3	55.0	5	60.0	5	70.0	5
4	45.0	3	54.0	5	59.0	5	68.0	7.5
6	42.0	5	52.0	5	58.0	5	66.0	7.5
8	40.0	5	50.0	5	57.0	7.5	65.0	10
10	39.0	5	48.0	7.5	56.0	7.5	64.0	10
12	35.0	5	46.0	7.5	54.0	7.5	62.0	10
14					50.0	7.5	58.0	15
16						7.5	54.0	15

906 West Hamilton Avenue  
Sherrill, New York 13461

**Conde' Pumps**

Phone: 800-367-0972

Fax: 315-363-0193